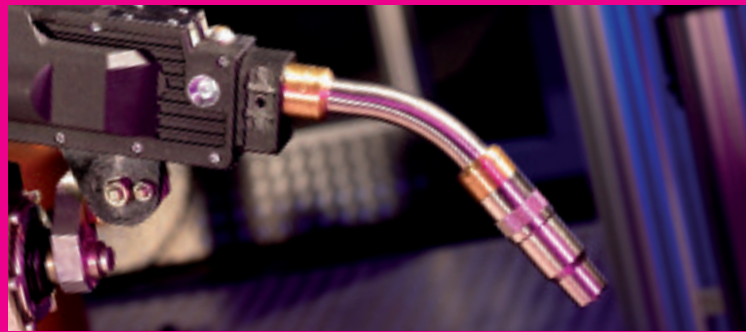


Torch neck WH W500



WH W500 – The high performance torch generation!

Higher rating, easy handling & maintenance!

The well proofed and for many years known mid range WH torch necks WH 455 D and WH 505 have been improved and offer now an even better performance while keeping the same TCP. That means an easy upgrade of the robot cell without reprogramming or changing the cable assembly.

The Features:

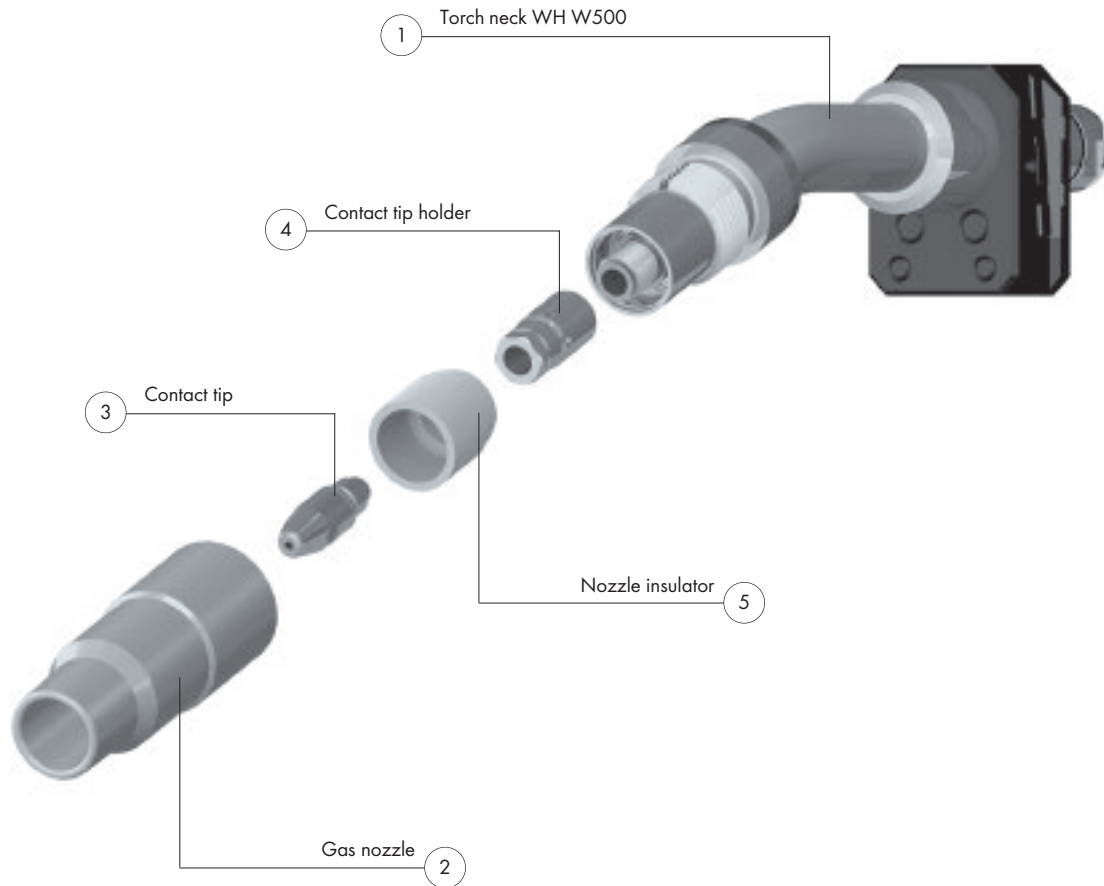
- Higher rating due to improved cooling circuit
- High crash stability due to stainless steel outer tube
- TCP compatible to WH 455 / WH 455 D and WH 505 / WH 505 TS
- Same spare parts as VTS 500 TS
- Coarse threaded gas nozzle for an easy handling and a safe gas nozzle seat

Technical data (EN 60974-7): Torch neck WH W500

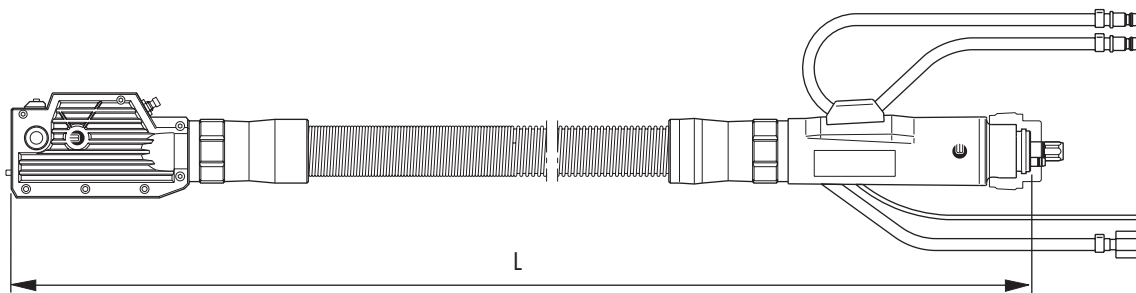
Cooling:	liquid-cooled
Rating:	550 A CO ₂ 500 A Mixed gases M21 (EN 439)
Duty cycle:	100 %
Wire size:	0.8 – 1.6 mm



System overview



Cable assembly (position 6)



Component	Pos.	Description	Spec.	Part-no.
Torch neck	1	WH W500 0°		962.1550
		WH W500 22°		962.1549
		WH W500 35°		962.1551
		WH W500 45°		962.1532
	w/o fig.	WH W500 sensor 0°		962.1595
		WH W500 sensor 22°		962.1596
		WH W500 sensor 35°		962.1597
		WH W500 sensor 45°		962.1598
Gas nozzle	2	Bottle form "RECESS" (- 2.6 mm); Ø 13.0; L=77.0 mm	10 pcs.	145.0556
		Bottle form "RECESS" (- 1.1 mm); Ø 13.0; L=75.5 mm	10 pcs.	145.0479
		Bottle form "RECESS" (- 2.6 mm); Ø 15.5; L=77.0 mm	10 pcs.	145.0480
		Bottle form "RECESS" (- 1.1 mm); Ø 15.5; L=75.5 mm	10 pcs.	145.0544
		Bottle form "STICK OUT" (+ 2.4 mm); Ø 15.5; L=72.0 mm	10 pcs.	145.0466
		Conical "RECESS" (- 1.1 mm); Ø 15.5; L=75.5 mm	10 pcs.	145.0553
		Conical "STICK OUT" (+ 1.9 mm); Ø 15.5; L=72.5 mm	10 pcs.	145.0568
Contact tip CuCrZr	3	Contact tip M6; Ø 0.8; 28 mm	10 pcs.	140.0054
		Contact tip M6; Ø 0.9; 28 mm	10 pcs.	140.0172
		Contact tip M6; Ø 1.0; 28 mm	10 pcs.	140.0245
		Contact tip M6; Ø 1.2; 28 mm	10 pcs.	140.0382
		Contact tip M6; Ø 1.4; 28 mm	10 pcs.	140.0519
		Contact tip M8; Ø 0.8; 30 mm	10 pcs.	140.0117
		Contact tip M8; Ø 0.9; 30 mm	10 pcs.	140.0217
		Contact tip M8; Ø 1.0; 30 mm	10 pcs.	140.0316
		Contact tip M8; Ø 1.2; 30 mm	10 pcs.	140.0445
		Contact tip M8; Ø 1.4; 30 mm	10 pcs.	140.0536
Contact tip CuCrZr silver plated	3	Contact tip M6; Ø 0.8; 28 mm	10 pcs.	147.0054
		Contact tip M6; Ø 0.9; 28 mm	10 pcs.	147.0172
		Contact tip M6; Ø 1.0; 28 mm	10 pcs.	147.0245
		Contact tip M6; Ø 1.2; 28 mm	10 pcs.	147.0382
		Contact tip M6; Ø 1.4; 28 mm	10 pcs.	147.0519
		Contact tip M8; Ø 0.8; 30 mm	10 pcs.	147.0117
		Contact tip M8; Ø 0.9; 30 mm	10 pcs.	147.0217
		Contact tip M8; Ø 1.0; 30 mm	10 pcs.	147.0316
		Contact tip M8; Ø 1.2; 30 mm	10 pcs.	147.0445
		Contact tip M8; Ø 1.4; 30 mm	10 pcs.	147.0536
Contact tip holder	4	Contact tip holder M6	10 pcs.	142.0133
		Contact tip holder M8	10 pcs.	142.0117
Nozzle insulator	5	Nozzle insulator standard	10 pcs.	146.0054
		Nozzle insulator high-temperature-resistant	10 pcs.	146.0059
Gas diffuser	w/o fig.	Gas diffuser standard*	10 pcs.	943.0170
Neck-Liner for steel	w/o fig.	Neck-Liner for torch geometry 0° / 22°; Ø 0.8-1.2		149.0226
		Neck-Liner for torch geometry 0° / 22°; Ø 1.4-1.6		149.0228
		Neck-Liner for torch geometry 35° / 45°; Ø 0.8-1.2		149.0227
		Neck-Liner for torch geometry 35° / 45°; Ø 1.4-1.6		149.0229
Neck-Liner for aluminium	w/o fig.	Neck-Liner for torch geometry 0° / 22°; Ø 0.8-1.0		149.0230
		Neck-Liner for torch geometry 0° / 22°; Ø 1.2-1.6		149.0232
		Neck-Liner for torch geometry 35° / 45°; Ø 0.8-1.0		149.0231
		Neck-Liner for torch geometry 35° / 45°; Ø 1.2-1.6		149.0233

*Only in combination with gas nozzle 145.0553.

Component	Pos.	Description	Spec.	Part-no.
Cable assembly WH	6	Cable assembly cpl. WH; L=1.05 m*	liquid-cooled	965.2001
		Cable assembly cpl. WH; L=1.15 m*	liquid-cooled	965.2002
		Cable assembly cpl. WH; L=1.25 m*	liquid-cooled	965.2003
		Cable assembly cpl. WH; L=1.45 m*	liquid-cooled	965.2004
		Cable assembly cpl. WH; L=1.65 m*	liquid-cooled	965.2005
		Cable assembly cpl. WH; L=2.15 m**	liquid-cooled	965.2006
		Cable assembly cpl. WH; L=2.65 m**	liquid-cooled	965.2007
		Cable assembly cpl. WH; L=3.15 m**	liquid-cooled	965.2008
Cable assembly WH-PP i=17,1:1 42 V DC***	w/o fig.	Cable assembly cpl. WH-PP; L=1.10 m*	liquid-cooled	965.4014
		Cable assembly cpl. WH-PP; L=1.50 m*	liquid-cooled	965.4015
		Cable assembly cpl. WH-PP; L=1.70 m*	liquid-cooled	965.4016
		Cable assembly cpl. WH-PP; L=2.20 m**	liquid-cooled	965.4001
		Cable assembly cpl. WH-PP; L=2.70 m**	liquid-cooled	965.4002
		Cable assembly cpl. WH-PP; L=3.20 m**	liquid-cooled	965.4003
Liner Steel for non-alloyed and low alloyed steels	w/o fig.	Liner steel red; Ø 0.8 – 1.2; up to L=1.65 m		124.0176
		Liner steel red; Ø 0.8 – 1.2; up to L=3.20 m		124.0111
		Liner steel red; Ø 0.8 – 1.2; up to L=5.00 m		124.0113
		Liner steel BSLblue; Ø 1.4 – 1.6; up to L=1.65 m		124.0136
		Liner steel BSLblue; Ø 1.4 – 1.6; up to L=3.20 m		124.0108
		Liner steel BSLblue; Ø 1.4 – 1.6; up to L=5.00 m		124.0110
PA-Liner for aluminium	w/o fig.	PA-Liner, Ø 0.8 – 1.2; up to L=1.65 m		128.0039
		PA-Liner, Ø 0.8 – 1.2; up to L=3.20 m		128.0012
		PA-Liner, Ø 0.8 – 1.2; up to L=5.00 m		128.0016
		PA-Liner, Ø 1.4 – 1.6; up to L=1.65 m		128.0040
		PA-Liner, Ø 1.4 – 1.6; up to L=3.20 m		128.0020
		PA-Liner, Ø 1.4 – 1.6; up to L=5.00 m		128.0030
Drive roll aluminium for WH-PP	w/o fig.	Drive roll aluminium; Ø 0.8	u-groove	961.0017
		Drive roll aluminium; Ø 0.9	u-groove	961.0056
		Drive roll aluminium; Ø 1.0	u-groove	961.0018
		Drive roll aluminium; Ø 1.2	u-groove	961.0019
		Drive roll aluminium; Ø 1.6	u-groove	961.0020
Drive roll universal for WH-PP	w/o fig.	Drive roll universal; Ø 0.8	v-groove	961.0269
		Drive roll universal; Ø 0.9	v-groove	961.0270
		Drive roll universal; Ø 1.0	v-groove	961.0227
		Drive roll universal; Ø 1.2	v-groove	961.0228
		Drive roll universal; Ø 1.4	v-groove	961.0279
		Drive roll universal; Ø 1.6	v-groove	961.0267
Accessories	7	O-ring 15,0 x 1.0 mm	20 pcs.	165.0015
	8	O-ring 3.5 x 1.2 mm	20 pcs.	165.0062
	w/o fig.	Alignment jig for torch geometry 0° / 22° / 45°		837.0692
	Alignment jig for torch geometry 35°		837.0688	

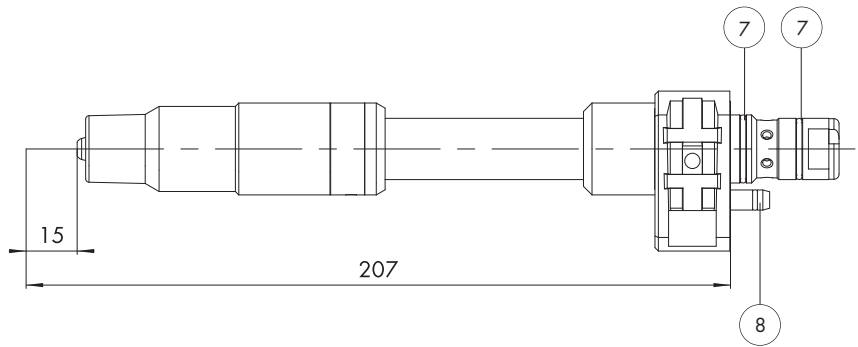
*Equipped with std.liner 124.0176

**Equipped with std.liner 124.0111

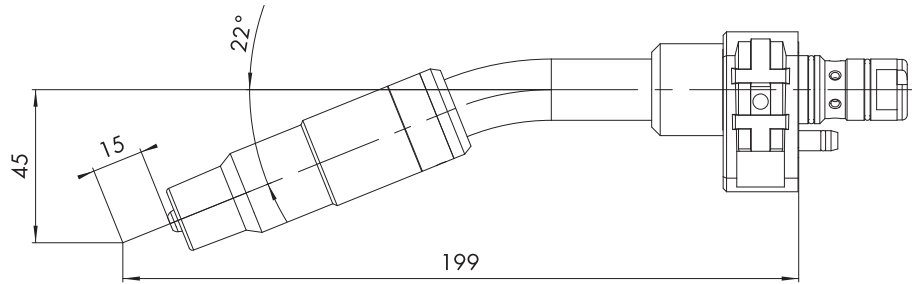
***The control cable is not pre-wired on the machine end. Power source specific types and lengths of more than 3.20 m on request.

Dimensional sketch: Torch neck WH W500 (position 1)

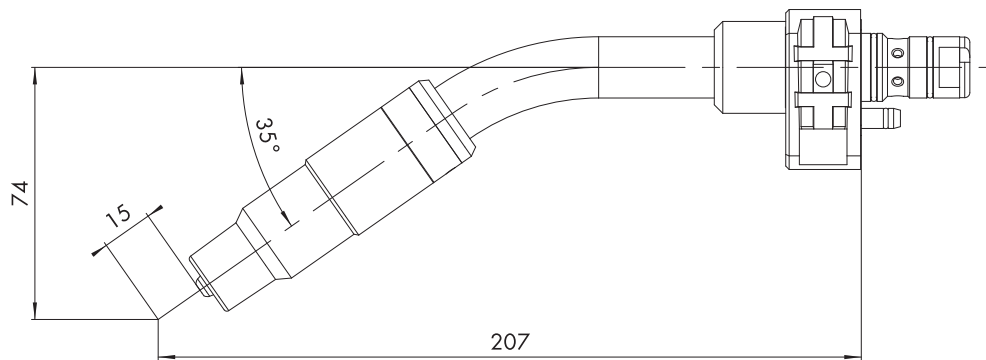
Torch neck 0°
962.1550



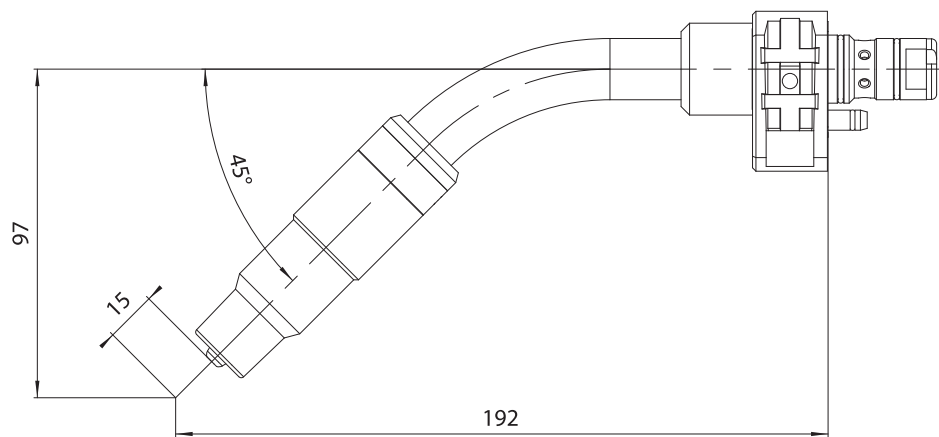
Torch neck 22°
962.1549



Torch neck 35°
962.1551



Torch neck 45°
962.1532



Torch neck WH W500

The high performance torch generation!

Torch comparison:

Category	Torch necks				
	WH W500	WH 455	WH 455 D	WH 505	WH 505 TS
Rating ¹⁾	500 A	400 A	400 A	400 A	350 A
Screwable gas nozzle	✓	–	–	–	✓
CuCrZr contact tip M6 / M8	✓	✓	✓	✓	✓
Changeable tip holder	✓	–	✓ ²⁾	✓	✓
Nozzle insulator standard/ high-temperature-resistant	✓	✓	✓	✓	✓
Gas diffuser	✓ ³⁾	✓ ⁴⁾	✓ ⁴⁾	✓ ⁴⁾	✓ ⁴⁾
Standard WH / WH-PP cable assembly	✓	✓	✓	✓	✓
ATS Rotor compatible	✓	✓	✓	✓	✓

¹⁾ 100% DC, Mixed gases M21 (EN 439)

²⁾ without gas ports

³⁾ only in combination with gas nozzle 145.0553

⁴⁾ optional



Alexander Binzel Schweißtechnik GmbH & Co. KG
P.O. Box 10 01 53 · D-35331 Gießen
Phone: +49 (0) 64 08 / 59-0
Fax: +49 (0) 64 08 / 59-191
Email: info@binzel-abicor.com

www.binzel-abicor.com