



## Classic TBI 360 (DR)

Air cooled

DR: changeable swivel neck

TBi-Flex rubber coaxial cable

### Technical data

#### MIG/MAG (GMAW) Semi-automatic welding torch TBI 360/360 DR

Rating at 60% duty cycle  
(10 min. cycle)

- Mixed gas: 300 A (DR: 260 A)  
- CO<sub>2</sub>: 330 A (DR: 290 A)

Cooling method Air cooling

Wire diameter 1.0 - 1.6 mm

Gas flow 12 l/min

Technical specification according to IEC 60974-7

Weight with 1.5 m cable 1.80 kg (TBI 360 DR: 2.10 kg)

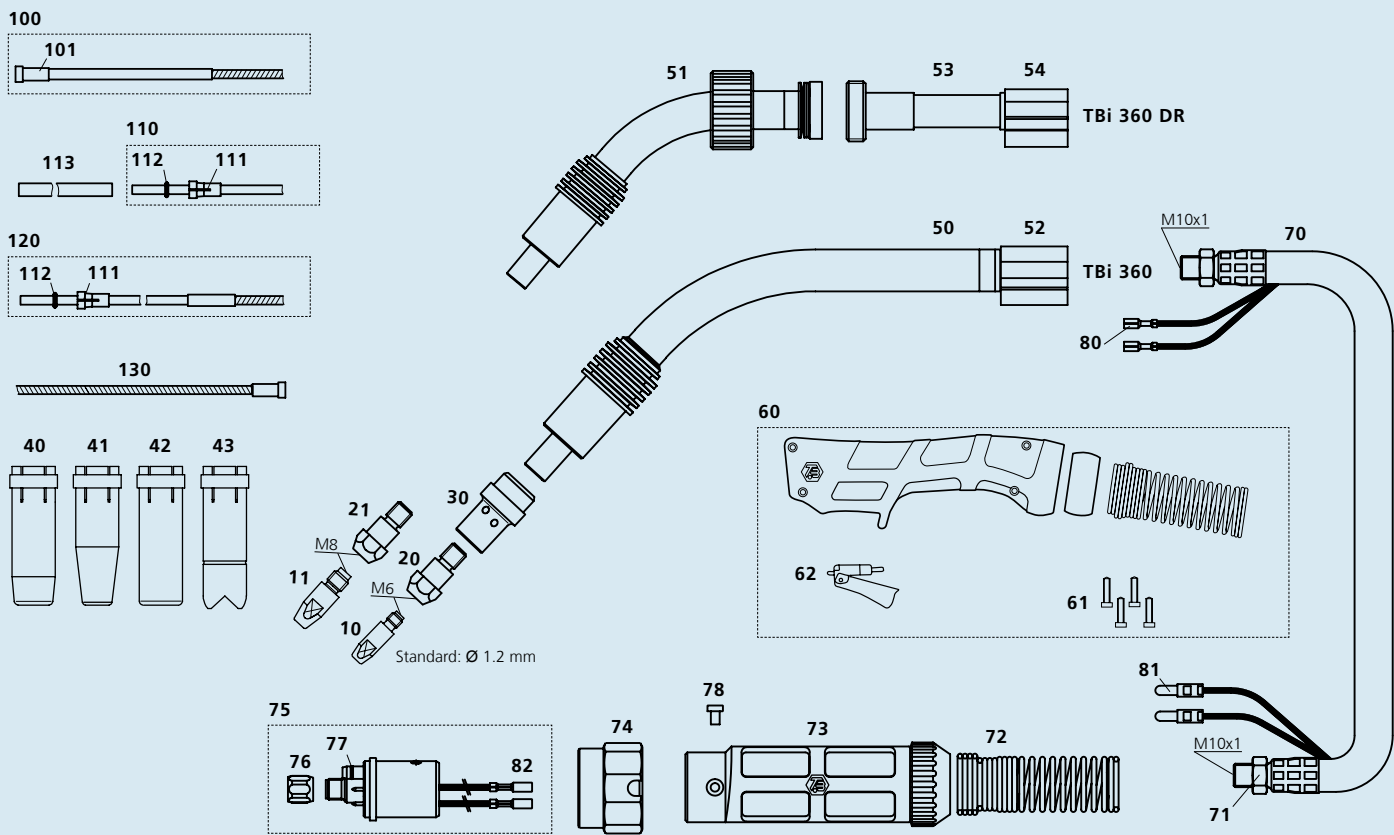
Connection Euro-Central connector  
other connectors are available upon request.

Torch rating will be reduced when using pulsed-arc power sources. Special torch necks and custom lengths of the coaxial cable are available upon request.

### Ordering information

TBi 360	ESG, 50° bent	114P3413_0*
TBi 360 DR	ESG, 45° bent	114P3413_D*

\* At the blank, please insert 3, 4 or 5 for a torch length of 3, 4 or 5 m.



Pos. Description

Part no.

#### Contact tips

▶ 10	Contact tip M6x28, Ecu	340P_1069*
10	Contact tip M6x28, CuCrZr	340P_3069*
10	Contact tip M6x28 Alu, Ecu	341P_1069*
11	Contact tip M8x30, Ecu	340P_1262*
11	Contact tip M8x30, CuCrZr	340P_3262*
11	Contact tip M8x30 Alu, Ecu	341P_1262*

#### Tip holders

▶ 20	Tip holder M6 / L=28 mm	342P006014
20	Tip holder M6 / L=32 mm	342P006114
21	Tip holder M8 / L=28 mm	342P008014
21	Tip holder M8 / L=34 mm	342P008114

#### Gas diffusers

▶ 30	Gas diffuser, black	114P002007
30	Gas diffuser, ceramic	114P002005

#### Gas nozzles

▶ 40	Nozzle conical diam. 16 mm	345P012010
41	Nozzle conical diam. 12 mm	345P013010
42	Nozzle cylindrical diam. 20 mm	345P011010
43	Spot weld nozzle diam. 20 mm	345P015010

#### Spare parts

50	Torch neck TBi 360, 50°	114P001001
51	Torch neck TBi 360 DR (swivel), 45°	114P001015
52	PVC body	600P002018

Pos. Description

Part no.

53	Support for DR necks	600P101045
54	PVC body	600P002017
60	Handle blue, aircooled, cpl. kit	380P220400
61	Cross recessed screw M 3.5x14	100P008413
62	Trigger, red, 2 poles	385P021016
70	TBi-Flex coaxial cable 50 sqmm	360P5011_0*
71	Hex nut M10x1	101P002005
72	Spring support small 16-50 sqmm	600P102099
73	Cable support cpl. (2 pieces)	701P001045
74	Adaptor nut	701P001013
75	Central adaptor ESG cpl., 2 poles, moveable pins	701P001048
76	Sleeve nut M10x1	701P002005
77	O-ring 4.0x1.0 mm (gas nipple)	365P100040
78	Slotted screw M4x6	100P008401
80	Cable lug, flat	375P000023
81	Insulated connector, male, round	375P000004
82	Insulated connector, female, round	375P000003

#### Wire guides

▶ 100	Liner w/ insulation red (x.40 m) for wire 1.0-1.2	324P2045_4*
100	Liner w/ insulation yellow (x.40 m) for wire 1.2-1.6	324P2545_4*
101	Collet for liners diam. 4.5 mm	330P025045
110	PTFE-liner red (x.50 m) for wire 1.0-1.2	326P2040_5*
110	PTFE-liner yellow (x.50 m) for wire 1.2-1.6	326P2747_5*
111	Collet for liners 2.0x4.0 mm	331P020040
111	Collet for liners 2.7x4.7 mm	331P027047
112	O-ring 3.50x1.50 mm (for liner)	365P150035
113	Support tube 5x4.4 mm, L=150 mm	329P544150
120	PA-Alu wire guide (x.50 m) for wire 1.0-1.2	328P2040_A*
130	Liner for TBi DR Torch necks	322P204005

▶ = Standard parts

\* At the blank, please insert suitable information for torch length or wire diameter, e.g. 08 for 0.8 mm or 3 for 3 m.

© 2012 TBI Industries GmbH. All rights reserved. Subject to change without notice. Warranty only when using original TBI consumables and spare parts. Excerpts and reprints not permitted.  
Nr. DOKP111162, 07/2012.

TBI Industries GmbH  
Ruhberg 14  
D-35463 Fernwald-Steinbach  
P.O. Box 67  
D-35461 Fernwald-Steinbach

Tel. + 49 6404 9171-0  
Fax. + 49 6404 9171-40  
Internet: [www.tbi-industries.com](http://www.tbi-industries.com)  
E-mail: [info@tbi-industries.com](mailto:info@tbi-industries.com)