



## Classic TBI 380

Air cooled

Uses same gasnozzles as TBI 260 / 411 / 511

TBi-Flex rubber coaxial cable

### Technical data

#### MIG / MAG (GMAW) Semi-automatic welding torch TBI 380

Rating at 60% duty cycle  
(10 min. cycle)

- Mixed gas: 360 A  
- CO<sub>2</sub>: 380 A

Cooling method Air cooling

Wire diameter 1.2 - 1.6 mm

Gas flow 14 l/min

Technical specification according to IEC 60974-7

Weight with 1.5m cabel 1.80 kg

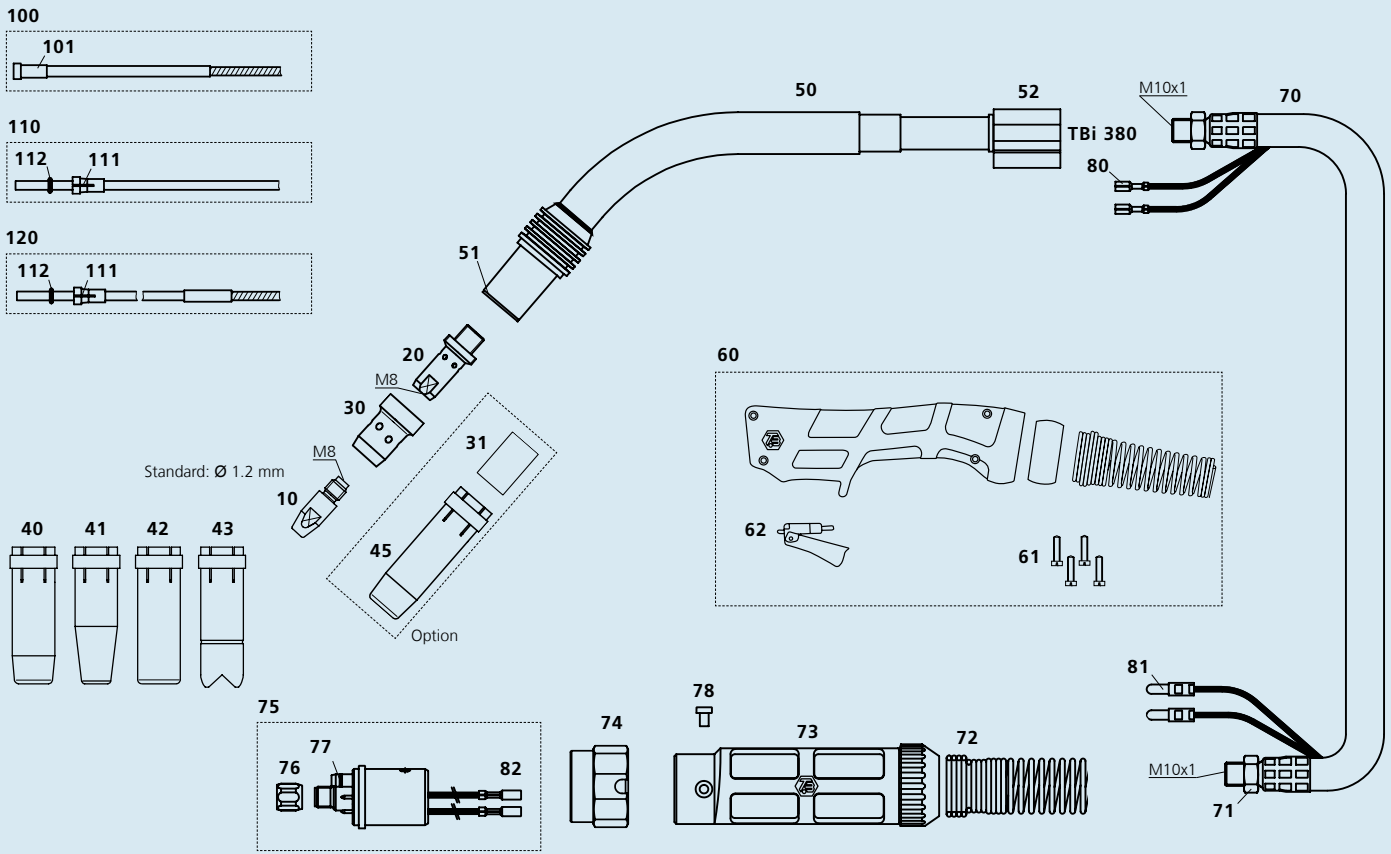
Connection Euro-Central connector  
other connectors are available  
upon request.

Torch rating will be reduced when using pulsed-arc power sources.  
Special torch necks and custom lengths of the coaxial cable are  
available upon request.

### Ordering Information

TBi 380 ESG, 50° bent 917P3413\_0\*

\* At the blank, please insert 3, 4 or 5 for a torch length of 3, 4 or 5 m.



Pos.	Description	Part. No.
<b>Contact tips</b>		
▶ 10	Contact tip M8x30, Ecu	340P_1262*
10	Contact tip M8x30, CuCrZr	340P_3262*
10	Contact tip M8x30 Alu, Ecu	341P_1262*
<b>Tip holders</b>		
▶ 20	Tip holder M8 / L=36 mm	342P054884
<b>Gas diffusers / Nozzle insulators</b>		
▶ 30	Gas diffuser, black	130P002026
30	Gas diffuser, ceramic	130P002019
31	Nozzle insulator, only for pos. 45	346P054860
<b>Gas nozzles</b>		
▶ 40	Nozzle conical diam. 16 mm	345P012030
41	Nozzle conical diam. 14 mm	345P013030
▶ 42	Nozzle cylindrical diam. 20 mm	345P011030
43	Spot weld nozzle diam. 20 mm	345P015030
45	Nozzle conical diam. 16 mm HD	345P012032

#### Spare parts

50	Torch neck TBi 380, 50°	917P001001
51	Insulating washer	130P002004
52	PVC body	600P002018
60	Handle blue, aircooled, cpl. kit	380P220400
61	Cross recessed screw M 3.5x14	100P008413
62	Trigger, red, 2 poles	385P021016
70	TBi-Flex coaxial cable 50 sqmm	360P5011_0*
71	Hex nut M10x1	101P002005
72	Spring support small 16-50 sqmm	600P102099
73	Cable support cpl. (2 pieces)	701P001045

Pos.	Description	Part. No.
74	Adaptor nut	701P001013
75	Central adaptor ESG cpl., 2 poles, moveable pins	701P001048
76	Sleeve nut M10x1	701P002005
77	O-ring 4.0x1.0 mm (gas nipple)	365P100040
78	Slotted screw M4x6	100P008401
80	Cable lug, flat	375P000023
81	Insulated connector, male, round	375P000004
82	Insulated connector, female, round	375P000003

#### Wire guides

▶ 100	Liner w/ insulation yellow (x.40 m) for wire 1.2-1.6	324P2545_4*
101	Collet for liners diam. 4.5 mm	330P025045
110	PTFE-liner yellow (x.50 m) for wire 1.2-1.6	326P2747_5*
111	Collet for liners 2.7x4.7 mm	331P027047
112	O-ring 3.50x1.50 mm (for liner)	365P150035
120	PA-Alu wire guide (x.50 m) for wire 1.2-1.6	328P2347_A*
120	PA-Alu wire guide (x.50 m) for wire 2.0-2.4	328P2947_A*

▶ = Standard parts

\* At the blank, please insert suitable information for torch length or wire diameter, e.g. 08 for 0.8 mm or 3 for 3 m.

© 2012 TBI Industries GmbH. All rights reserved. Subject to change without notice. Warranty only when using original TBI consumables and spare parts. Excerpts and reprints not permitted. Nr. DOKP111172, 07/2012.

TBI Industries GmbH  
Ruhberg 14  
D-35463 Fernwald-Steinbach  
P.O. Box 67  
D-35461 Fernwald-Steinbach

Tel. + 49 6404 9171-0  
Fax. + 49 6404 9171-40  
Internet: [www.tbi-industries.com](http://www.tbi-industries.com)  
E-mail: [info@tbi-industries.com](mailto:info@tbi-industries.com)